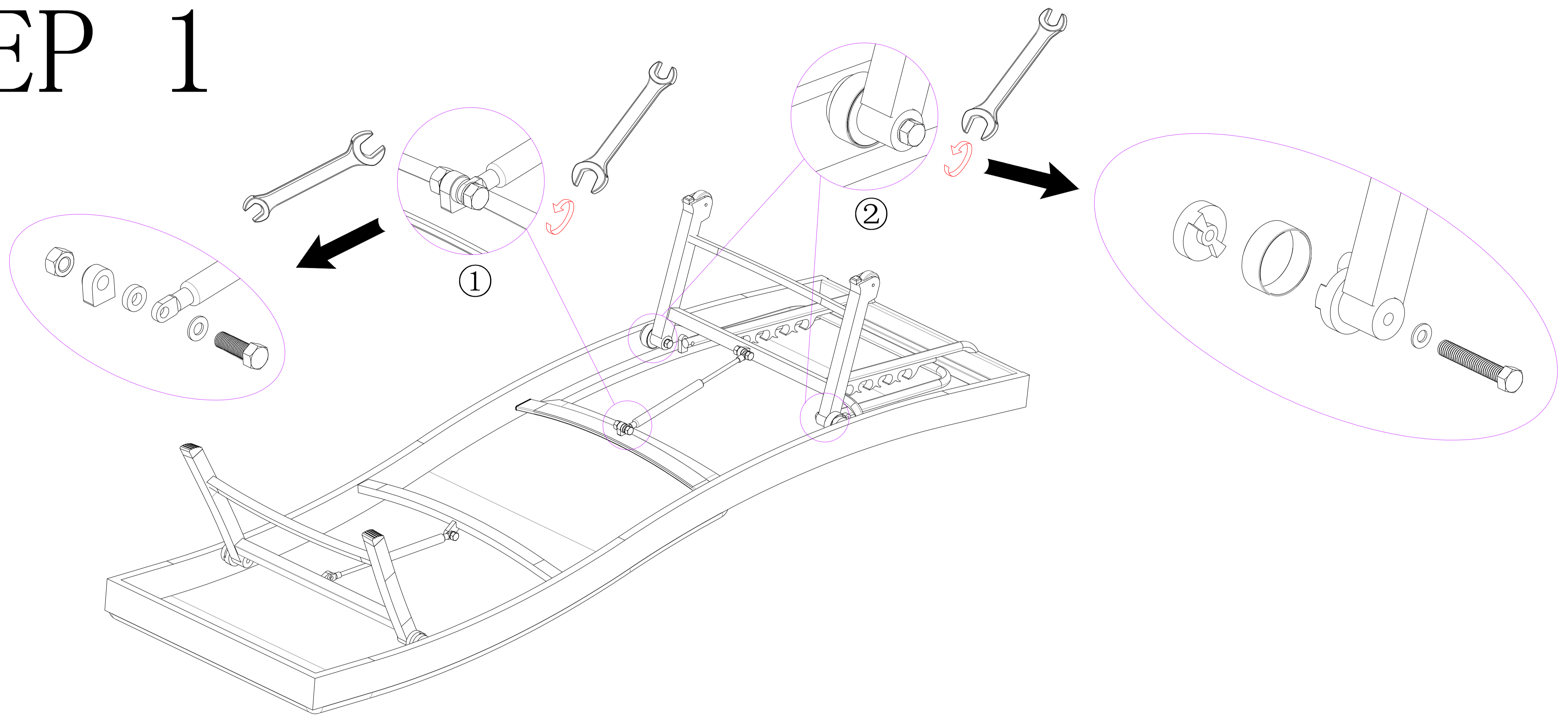
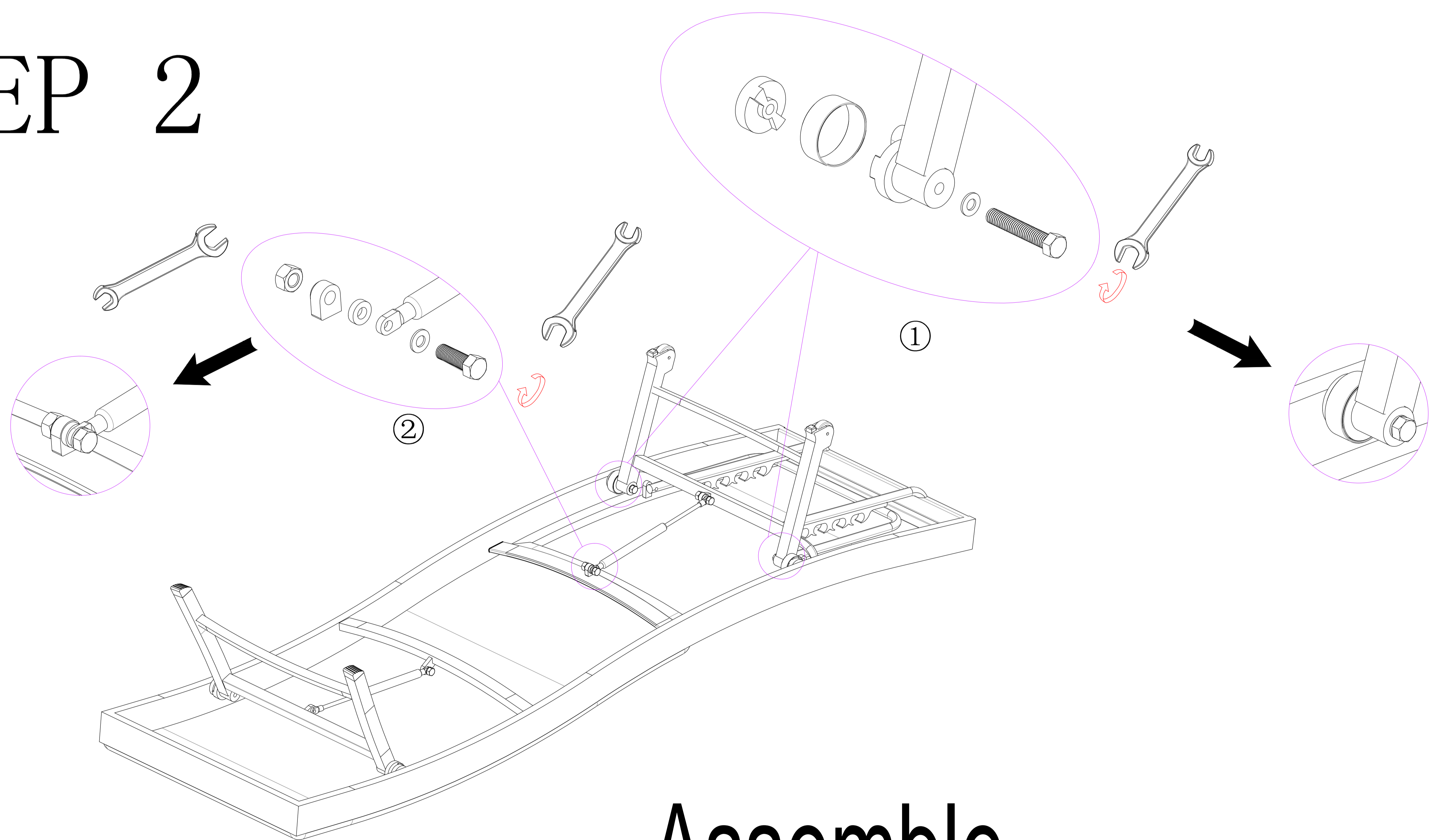


STEP 1



Remove

STEP 2



Assemble